

**M12 female 0° shielded, D-cod. with cable EN**

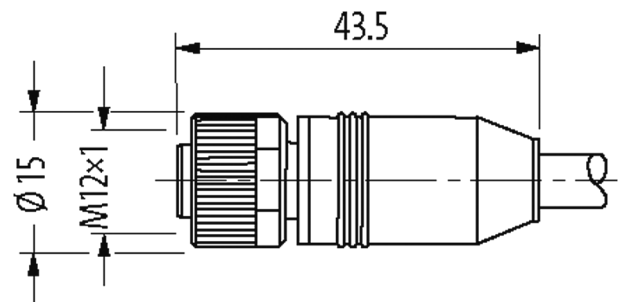
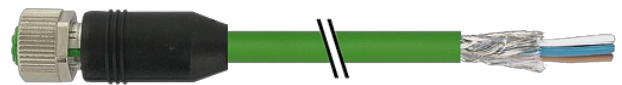
PUR 2x2xAWG22 shielded gn UL/CSA+dragchain 10m

Ethernet CAT5  
 Female straight  
 M12, 4-pole  
 D-coded  
 shielded

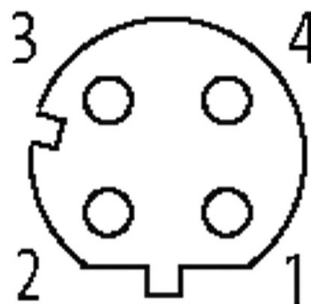
Further cable lengths on request.

Plastic housings with good resistance against chemicals and oils.

The resistance to aggressive media should be individually tested for your application. Further details on request.

**Illustration**

Female



Product may differ from Image

**Approvals**

\* only for products with UL/CSA approved cable

**More Info**

EtherNet/IP



**Form**

Form 14641

**Cables**

|                                 |  |
|---------------------------------|--|
| No./diameter of wires           | 2× 2× 0.34 mm <sup>2</sup>   |
| Wire isolation                  | PE (wh, ye, bl, or)  |
| C-track properties              | 3 Mio.   |
| Jacket Color                    | green  |
| Material (jacket)               | PUR (UL/CSA)   |
| Outer Ø                         | 6.7 mm ±5%   |
| Bend radius (moving)            | 12× outer Ø  |
| Temperature range (fixed)       | -40...+80 °C   |
| Temperature range (mobile)      | -30...+70 °C   |
| Cable identification            | 796  |
| Approval (cable)                | UL (AWM-Style 20233/11602), CSA; CE  |
| Cable weight [g/m]              | 69,3   |
| Material (wire)                 | Cu wire, bare  |
| Resistor (core)                 | max. 55 Ω/km (20 °C)   |
| Diameter (core)                 | 2× 2× AWG22  |
| Material (wire isolation)       | PE   |
| Wire-Ø incl. isolation          | 1.4 mm ±5%   |
| Color/numbering of wires        | wh, ye, bl, or   |
| Shield                          | yes  |
|                                 | min. 85%   |
| Material (jacket)               | PUR  |
| Outer-Ø (jacket)                | 6.7 mm ±5%   |
| Color (jacket)                  | green  |
| thermal resistance              | flammwidrig nach UL 1581 Section 1060 (FT1), Section 1061 (cable flame), Section 1080 (VW-1) / IEC 60332-1-2 |
| Nominal voltage                 | 300 V  |
| Temperature range (fixed)       | -40...+80 °C   |
| Temperature range (mobile)      | -30...+70 °C   |
| Bend radius (fixed)             | 5× outer Ø   |
| Bend radius (moving)            | 12× outer Ø  |
| No. of bending cycles (C-track) | max. 3 Mio. (25 °C)  |
| Traversing distance (C-track)   | max. 5 m (horizontal)  |
| Travel speed (C-track)          | max. 3.3 m/s   |
| Acceleration (C-track)          | max. 2 m/s <sup>2</sup>  |

**Technical Data**

|                                    |  |
|------------------------------------|--|
| Operating voltage                  | max. 60 V DC                                     |
| Operating voltage (only UL listed) | max. 30 V DC                                     |
| Rated surge voltage                | 1.5 kV   |
| Operating current per contact      | max. 4 A   |
| Material group                     | IEC 60664-1, category I                          |
| Transfer parameters                | CAT5, Class D (ISO/IEC 11801:2002), (EN 50173-1) |
| Transfer rate                      | up to 100 Mbit/s full duplex                     |
| Coding                             | D-coded  |

*stay connected*

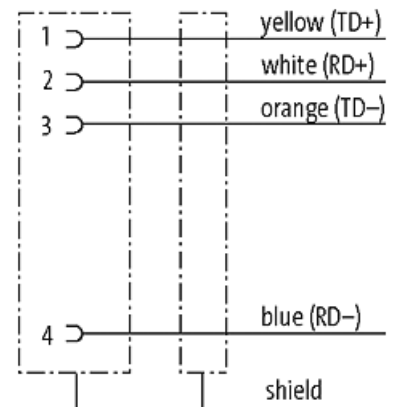
|                   |  |
|-------------------|--|
| Locking of ports  | Screw thread (M12×1 mm) recommended torque 0.6 Nm, self-securing |
| Compression gland | M12 (SW13)   |
| Protection        | IP66K, IP67 inserted and tightened (EN 60529)                    |
| Locking material  | Zinc die casting, matte nickel plated                            |
| Material          | PUR  |

**General data**

|                   |  |
|-------------------|--|
| Standards         | DIN EN 61076-2-101 (M12)                 |
| Pollution Degree  | 3  |
| Temperature range | -25...+85 °C, depending on cable quality |

**Commercial data**

|                       |               |
|-----------------------|---------------|
| country of origin     | DE            |
| customs tariff number | 85444290      |
| EAN                   | 4048879322058 |
| eClass                | 27061801      |
| Packaging unit        | 1             |

**Sketch**

Product may differ from Image